

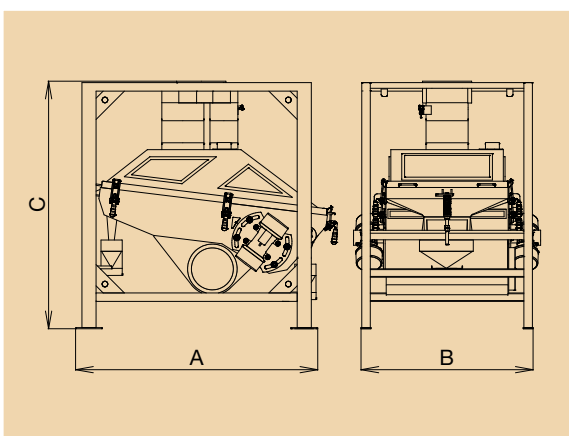
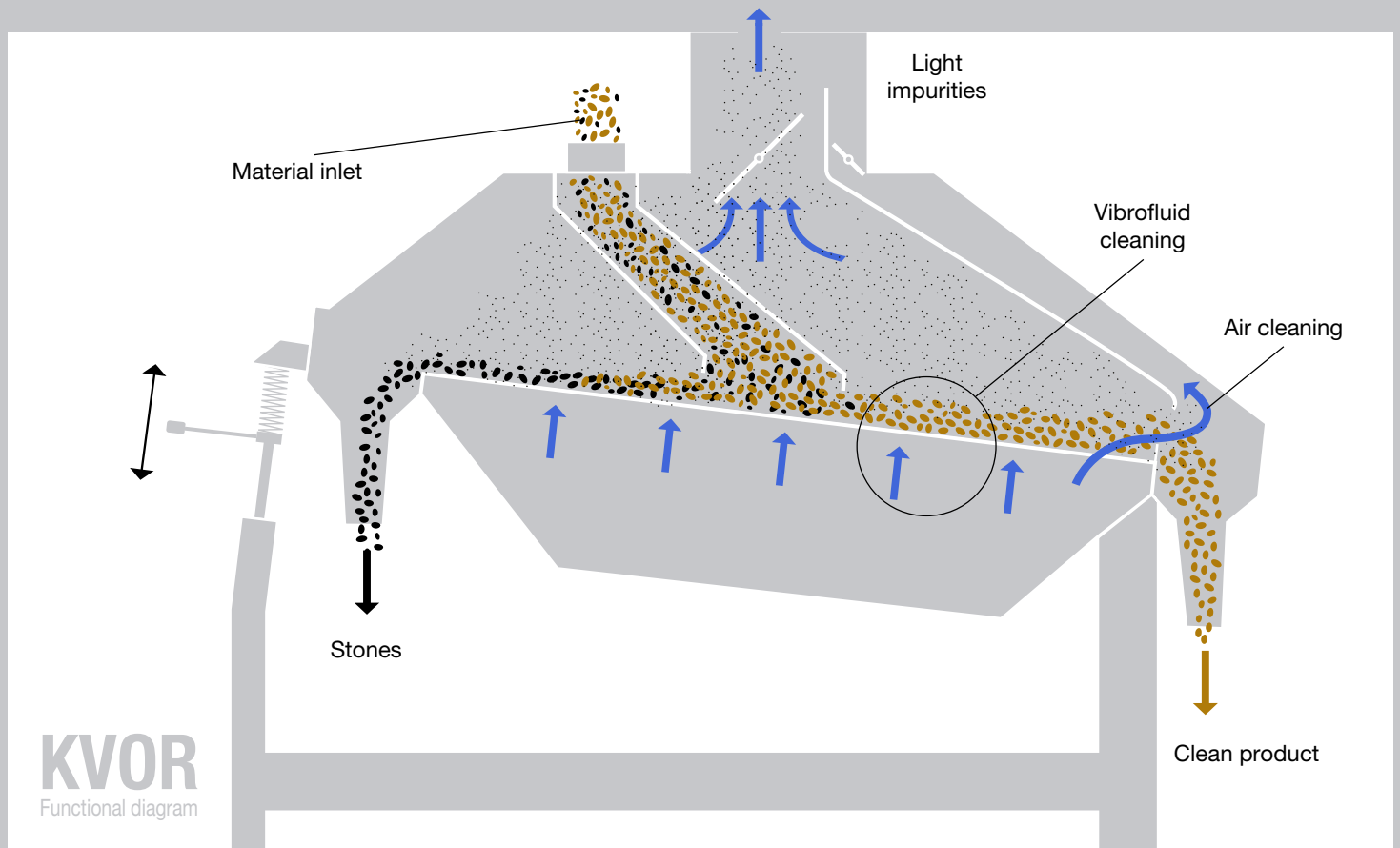


KVOR

Dry Destoner



- intended for destoning, sorting of material on the light and heavy fractions
- for use in grain mills, dehulling lines, flakes production and other food processing lines
- high efficiency, easy and accurate adjustment
- low energy consumption
- dust-free operation



Type of Machine KVOR		500	800	1200
Parameter	Unit			
Capacity *	t/h	2 – 3	8 – 12	12 – 16
Sieve Area	m ²	0,5	1,0	1,5
Input Power – KVOR	kW	0,5	0,5	1,1
Input Power – Air Fan	kW	4	7,5	11,0
Main Dimensions KVOR **	Length (A)	mm	1580	1850
	Width (B)	mm	1020	1220
	Height (C)	mm	1760	1760
Weight *	kg	410	470	650

* Capacities are for wheat of bulk density 780 kg/m³ and impurity content to 4%.
** Mentioned dimensions and weight are without the air fan.

Technical alterations reserved.