

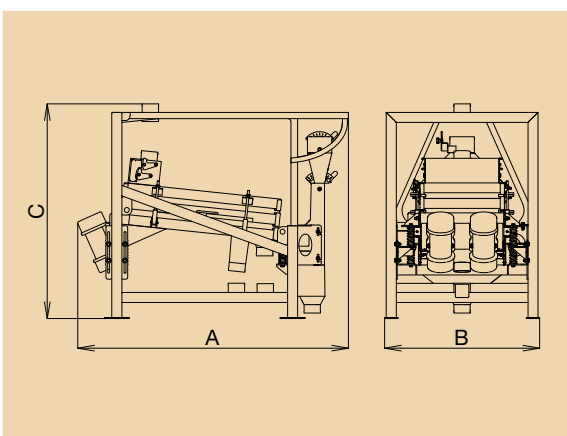
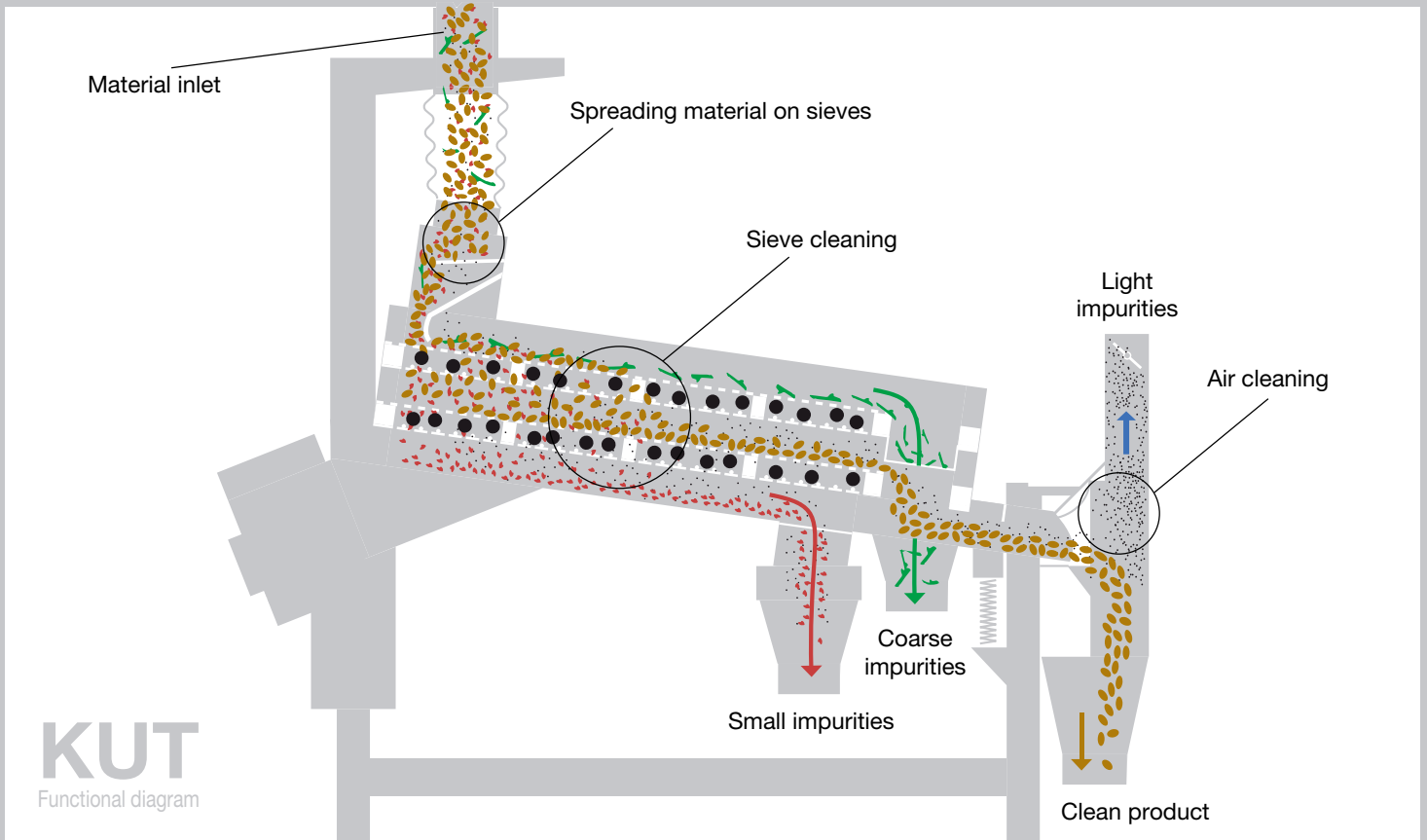


**KUT**

## Vibration Screen Separator



- designed for pre-cleaning, cleaning and production of seeds for all of agricultural crops
- high capacity machine with compact construction
- easy instalation, commissioning and operation
- low power consumption



Type of Machine KUT			300	500	800
Parameter		Unit			
Capacity *	Pre-Cleaning	t/h	1,5	6	15
	Industrial Cleaning	t/h	1	4	10
	Fine Cleaning	t/h	0,5	2	5
Sieve Area		m <sup>2</sup>	0,3	0,8	1,9
Input Power – KUT Separator		kW	0,3	0,5	0,5
Input Power – Air Fan		kW	0,5	1,1	1,5
Main Dimensions KUT	Length (A)	mm	1 170	1 530	1 970
	Width (B)	mm	720	920	1 240
	Height (C)	mm	1 480	1 300	1 560
Weight (without air fan)		kg	140	220	350

\* Capacities are valid for wheat, bulk density 750 kg/m<sup>3</sup>, humidity max. 16%. Machine capacity for each types is changing by the humidity, content of impurities and machine adjustments.

Technical alterations reserved.