

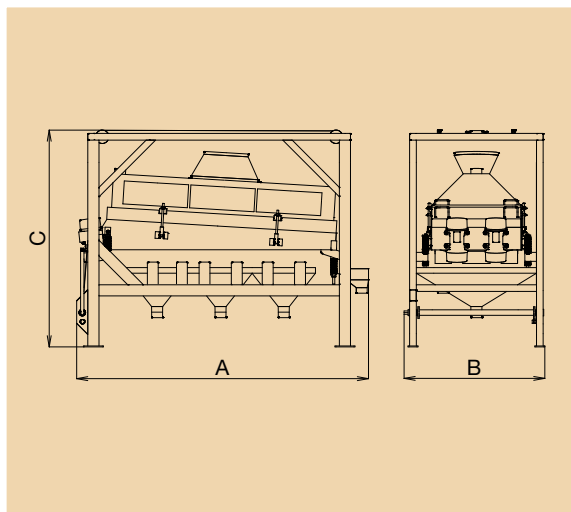
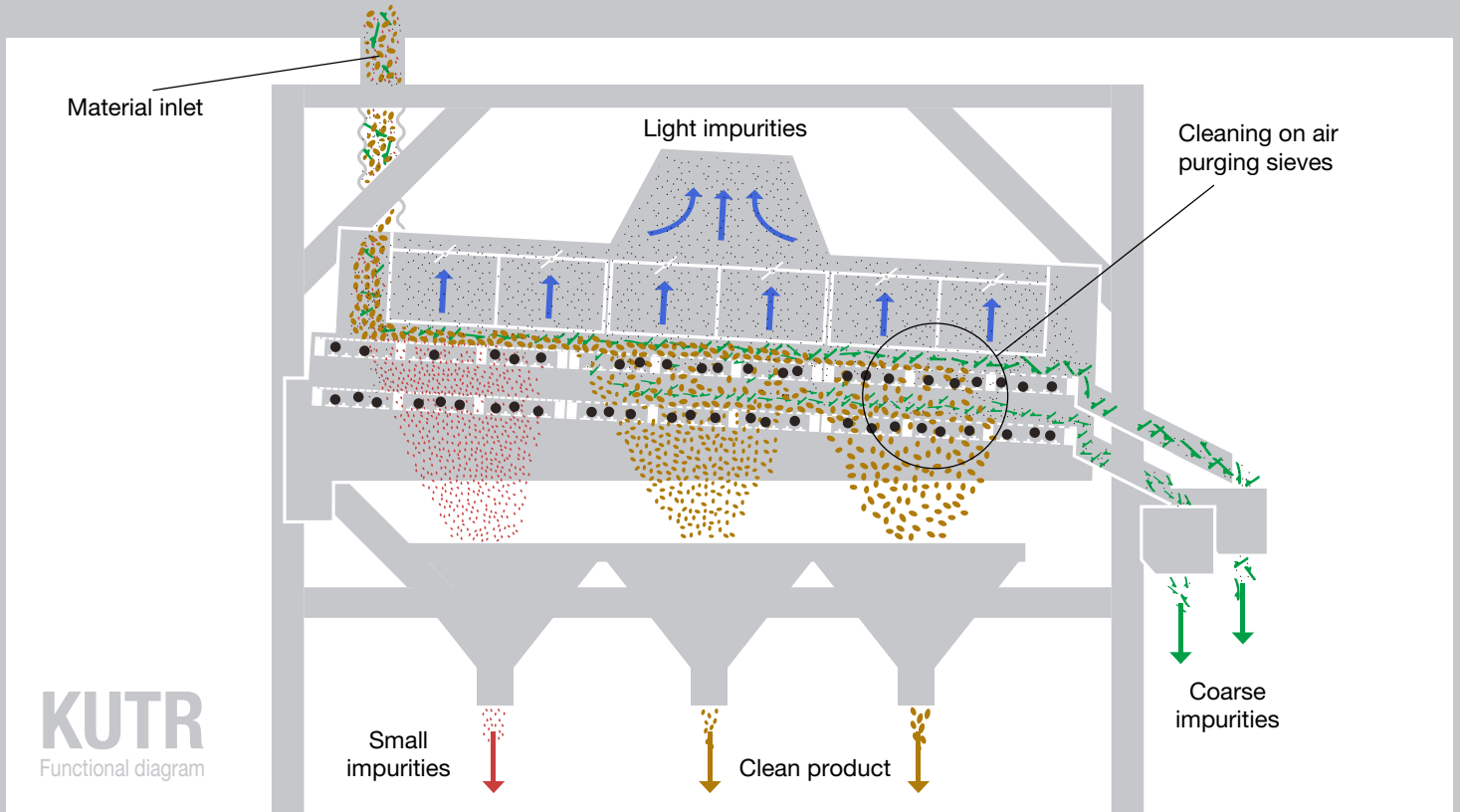


**KUTR**

## Vibration Screen Classifier



- designed for cleaning, grading and calibration of seeds (seeds for sowing, small and grass seeds)
- grading machine in dehulling, flakes and groats production lines, grain mills, etc.
- precise cleaning and grading, very effective separation of light impurities from the entire sieve area
- easy installation, commissioning and operation
- low energy consumption



| Type of Machine KUTR         |                           |                | 500/1200   | 800/1800  |
|------------------------------|---------------------------|----------------|------------|-----------|
| Parameter                    |                           | Unit           |            |           |
| <b>Capacity *</b>            | Wheat – Standard Cleaning | t/h            | 1,0 – 2,0  | 4,0 – 6,0 |
|                              | Wheat – Seeds             | t/h            | 0,4 – 1,0  | 1,0 – 3,0 |
|                              | Small Seeds               | t/h            | 0,15 – 0,8 | 0,6 – 3,0 |
|                              | Wholemeal flour           | t/h            | 0,2 – 0,4  | 0,4 – 0,8 |
|                              | Coarse semolina           | t/h            | 0,4 – 1,0  | 0,8 – 2,0 |
| <b>Input Power – KUTR</b>    |                           | kW             | 0,5        | 0,5       |
| <b>Input Power – Air Fan</b> |                           | kW             | 4,0        | 7,5       |
| <b>Sieve Area</b>            |                           | m <sup>2</sup> | 1,2        | 2,8       |
| <b>Main Dimensions KUTR</b>  | Length (A)                | mm             | 2000       | 2620      |
|                              | Width (B)                 | mm             | 960        | 1265      |
|                              | Height (C)                | mm             | 1770       | 1950      |
| <b>Weight</b>                |                           | kg             | 395        | 590       |

\* Capacity parameters are informative and vary acc. to kind, quality and admixtures of processed product.

Technical alterations reserved.