

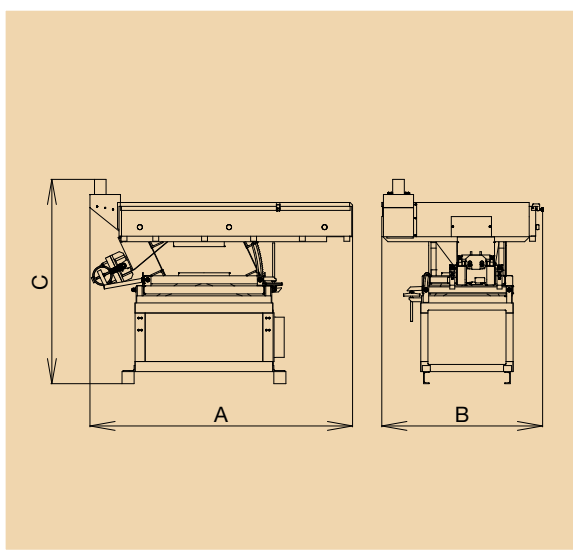
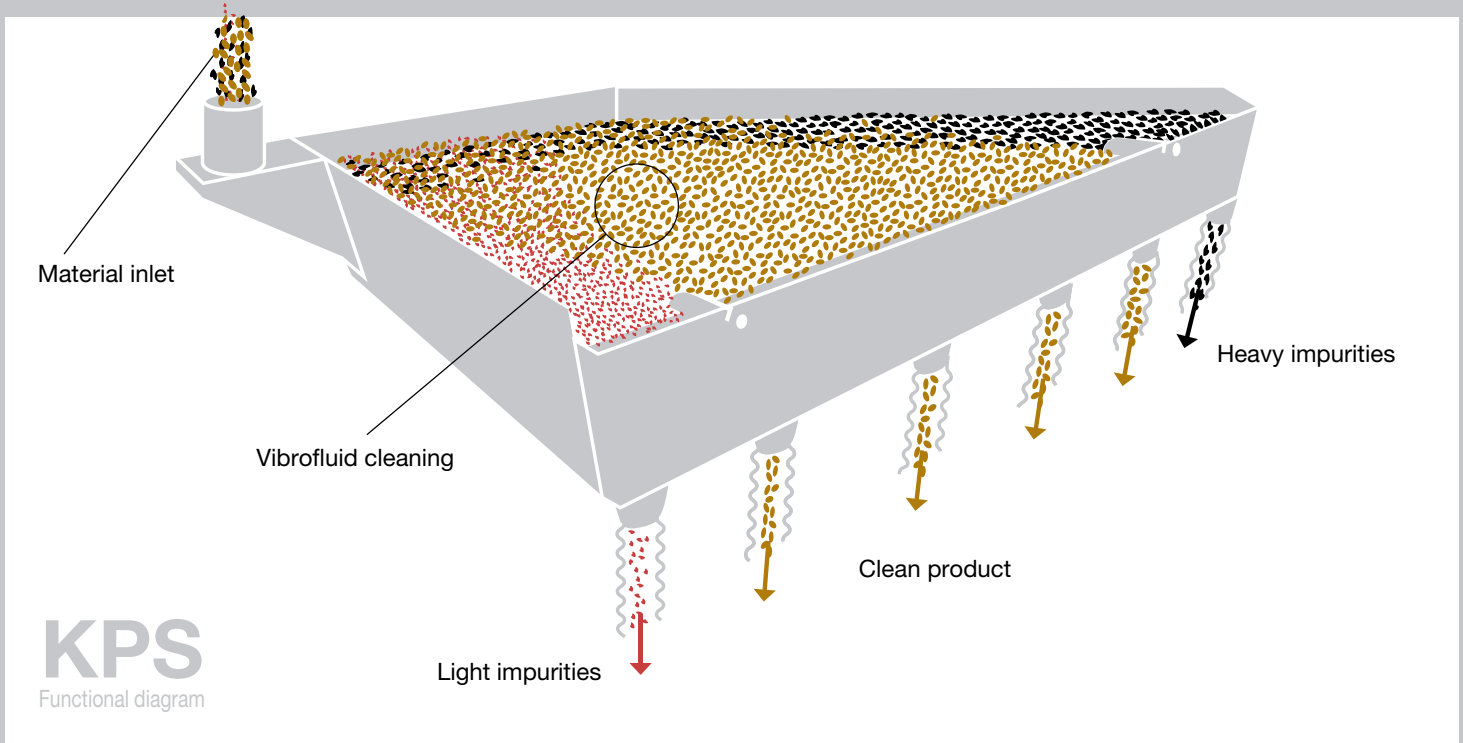


**KPS**

## Gravity Table Separator



- designed for final cleaning of small seeds, sowing seeds, grass
- also is used in lines for peeling , flakes and other food-processing lines
- precise grading by specific gravity (real fluidized bed)
- gentle processing of cleaned material (without metal sieve)
- easy and accurate adjustment, low energy consumption



Type of Machine KPS			1200	1900	2300
Parameter		Unit			
<b>Capacity *</b>	Wheat	t/h	0,8-1,9	1,7-3,8	3,0-8,0
	Barley	t/h	0,6-1,6	1,3-3,2	2,5-6,0
	Oat	t/h	0,6-1,2	1,2-2,6	2,0-5,0
	Clover	t/h	0,5-1,0	0,6-1,6	1,0-2,6
	Grass	t/h	0,2-0,6	0,3-1,2	0,5-2,2
	Small seeds	t/h	0,2-1,2	0,3-1,7	0,5-2,6
<b>Table Area</b>		m <sup>2</sup>	0,6	1,6	2,3
<b>Input power – KPS</b>		kW	0,37	0,37	0,37
<b>Input power – Air Fan **</b>		kW	4,0	7,5	11,0
<b>Main Dimensions KPS</b>	Length (A)	mm	1550	2200	2690
	Width (B)	mm	850	1200	1700
	Height (C)	mm	1650	1800	1950
<b>Weight</b>		kg	570	840	950

\* Capacities applies to input material, they are approximate and valid for usual impurities. Capacity of machine is changing according to cleaned material, content of impurities in raw material, humidity and machine adjustments. Technical alterations reserved.  
 \*\* Air fan input power varies according to the cleaned material. The above mentioned power is the maximum.