



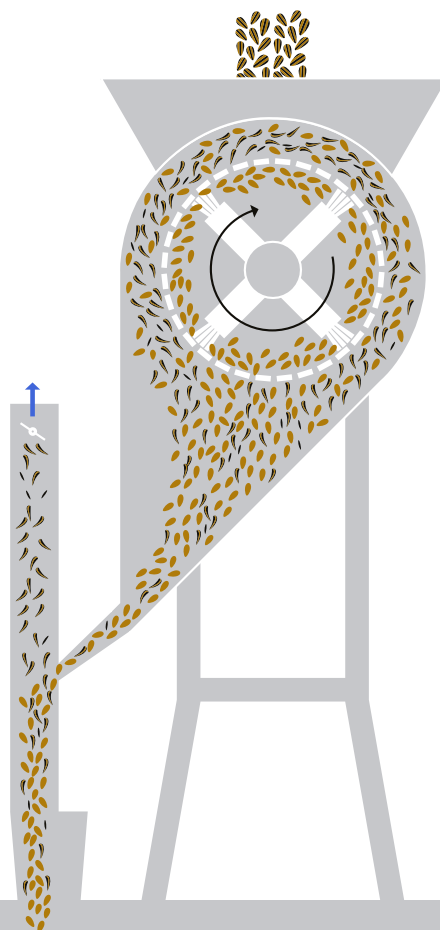
WE SEPARATE THE WHEAT FROM THE CHAFF

KMPP

Spelt Dehuller

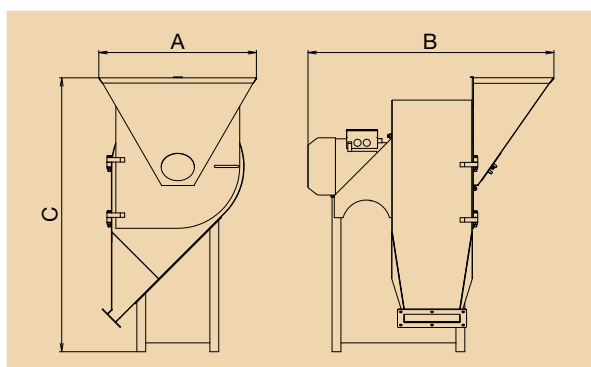


- designed for hulling spelt
- sparing effect on grain
- small size and compact disposition
- dust-free operation
- easy adjustment of intensity hulling



KMPP

Functional diagram



Type of machine KMPP

Type of machine KMPP			300
Parameter		Unit	
Engine input power		t/h	0,2-0,5
Příkon motoru		kW	3
Main dimensions	Length (A)	mm	715
	Width (B)	mm	1110
	Height (C)	mm	1240
Weight		kg	145

* Capacities depends on type of material and required use.

Technical alterations reserved.