

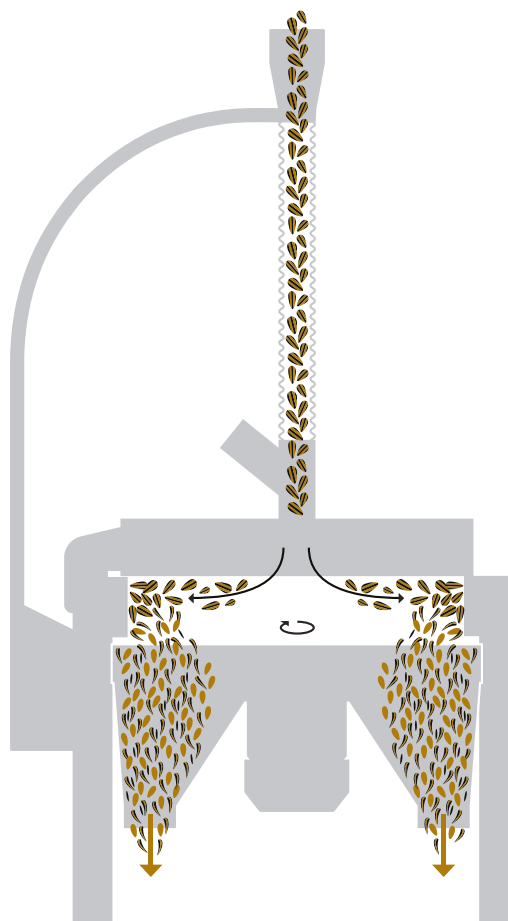


KLS

Impact Dehuller

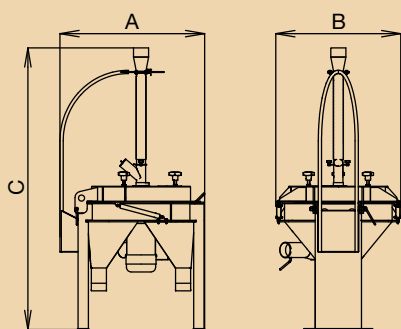


- designed for hulling sunflower for food or oil production and hulling oats
- easy machine setting
- high efficiency
- low power consumption



KLS

Functional diagram



Type of machine KLS

Type of machine KLS			500
Parameter		Unit	
Dehulling capacity *		t/h	0,5-1,5
Engine input power		kW	2,2
Main dimensions	Length (A)	mm	940
	Width (B)	mm	900
	Height (C)	mm	1840
Weight		kg	215

* Capacities depends on type of material and required use.

Technical alterations reserved.